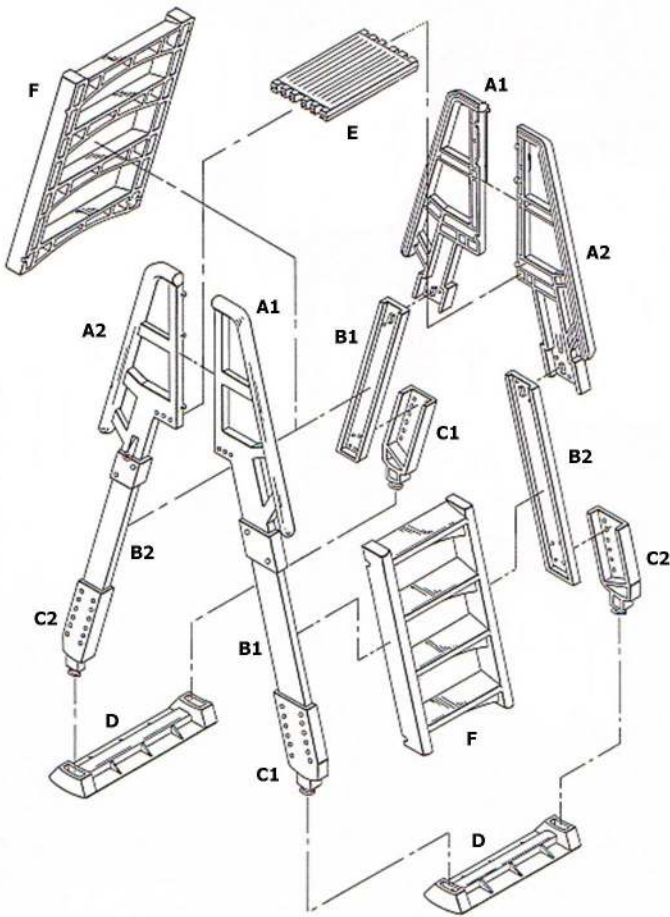
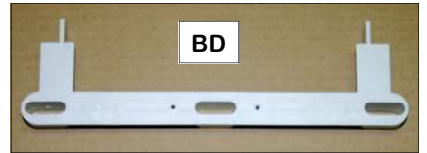
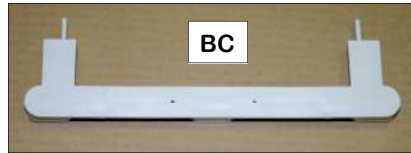


**MODEL SLA SLIDE-LOCK  
A-FRAME LADDER PARTS**



**SPECIFY COLOR WHEN  
ORDERING ALL PARTS**



PART #	DESCRIPTION
SLA-A1	LEFT HANDRAIL
SLA-A2	RIGHT HANDRAIL
SLA-B1	LEFT SUPPORT LEG
SLA-B2	RIGHT SUPPORT LEG
SLA-C1	LEFT ADJUSTABLE BASE SUPPORT
SLA-C2	RIGHT ADJUSTABLE BASE SUPPORT
SLA-D	BOTTOM TREAD
SLA-E	TOP PLATFORM
SLA-F	LADDER SECTION
SLA-H	HARDWARE PACKAGE
SLA-BA	BARRIER PART A
SLA-BB	BARRIER PART B
SLA-BC	BARRIER PART C
SLA-BD	BARRIER PART D
SLA-BP	BARRIER PICKET

